

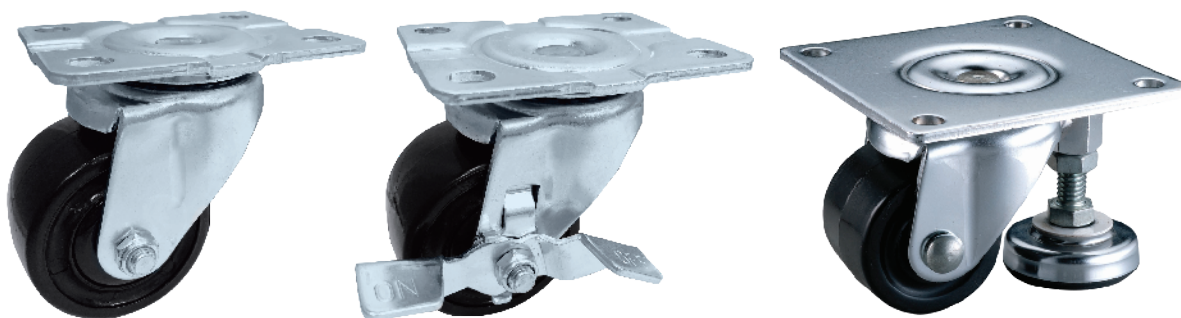


1109 Series Medium Duty/Low Profile Business Machine Caster

- Made of synthetic material with excellent abrasion resistance. Wide tread withstands heavy load, suitable for business machine. Item with floor lock is designed for extra heavy load and immobility function. Height is also adjustable for model with floor lock.



Load
50-400 kg



» Features



Side Lock Brake



Glide

» Wheel Options



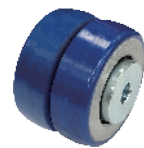
Nylon



Phenolic



PP



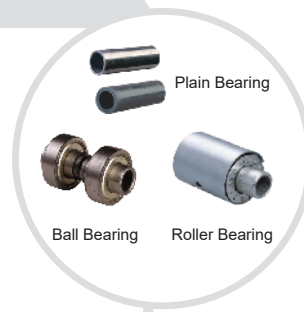
QPU(Dual Wheels)



QPU



King Kong Wheel



» TOP PLATE SIZE AND BOLT HOLE SPACING

Caster Size	Top Plate Size	Bolt Hole Spacing	Attaching Bolt Size
2" x 1"	58 x 70 mm (2-1/4" x 2-3/4")	40 x 55 mm (1-9/16" x 2-3/16")	8 mm (5/16")
2" x 1-15/16"	65 x 95 mm (2-3/4" x 3-3/4")	45 x 75 mm (1-3/4" x 3")	8 mm (5/16")
2" x 1-15/16" Caster with floor Lock	120 x 120 mm (4-23/32" x 4-23/32")	95 x 95 mm (3-3/4" x 3-3/4")	10 mm (3/8")
2-1/2" x 1-15/16"	65 x 95 mm (2-3/4" x 3-3/4")	45 x 75 mm (1-3/4" x 3")	8 mm (5/16")
2-1/2" x 1-15/16" Caster with floor Lock	120 x 120 mm (4-23/32" x 4-23/32")	95 x 95 mm (3-3/4" x 3-3/4")	10 mm (3/8")
3" x 1-15/16"	86 x 110 mm (3-3/8" x 4-5/16")	60 x 83 mm (2-3/8" x 3-1/4")	10 mm (3/8")
3" x 1-15/16" Caster with floor Lock	120 x 120 mm (4-23/32" x 4-23/32")	95 x 95 mm (3-3/4" x 3-3/4")	10 mm (3/8")



▶ **THREADED STEM SPECIFICATION**

Caster Size	Threaded Size	Caster Size	Threaded Size
2"x3/4"	M10 x 25 (CN) *	2"x1"	M12 x 25 (TW) *
2-1/2" x 1-15/16" 3" x 1-3/4"	M12 x 25 mm (CN) **	2-1/2" x 1-15/16" 3" x 1-3/4"	1/2-13UNC x 25mm (CN) **
2-1/2" x 1-15/16" 3" x 1-3/4"	1/2-12UNC x 32mm (TW) **	2-1/2"x1-15/16" 3" x 1-3/4"	5/8-11UNC x 25mm (TW) **

* Hexagon Head

** Round Head

 Diameter×Width	 Load	 Material	 Item No.			 Bearing	 Overall Height	 Swivel radius
			Fixed	Swivel	Brake			
50mm x 25mm (2" x 1")	70 kgs (150 lbs)	Nylon	--	1109-02-07-2	1109-02-07-4	Plain Bearing	70mm (2-3/4")	Swivel 47.5mm Swivel W/Brake 54mm
	50 kgs (110 lbs)	PP	--	1109-02-29-2	1109-02-29-4			
50mm x 45mm (2 x 1-3/4")	300 kgs (660 lbs)	QPU	1109-02-80-1	1109-02-80-1	--	Ball Bearing	73mm (2-7/8")	Swivel 44mm
	300 kgs (660 lbs)	ZQPU(Dual Wheels)	1109-02-101-1	1109-02-101-2	--			
	200 kgs (440 lbs)	Nylon	1109-02-07-1	1109-02-07-2	--	Ball Bearing Plain Bearing		
	250 kgs (550 lbs)	King Kong Wheel	1109-02-100-1	1109-02-100-2	--	Ball Bearing Plain Bearing		
62.5 mm x 45mm (2-1/2" x 1-3/4")	300 kgs (660 lbs)	QPU	1109-25-80-1	1109-25-80-2	1109-25-80-4	Ball Bearing	91mm (3-3/5")	Swivel 60.5mm Swivel W/Brake 65.5mm
	300 kgs (660 lbs)	ZQPU(Dual Wheels)	1109-25-101-1	1109-25-101-2	1109-25-101-4			
	250 kgs (550 lbs)	Nylon	1109-25-07-1	1109-25-07-2	1109-25-07-4			
	140 kgs (305 lbs)	PP	1109-25-29-1	1109-25-29-2	1109-25-29-4	Ball Bearing Plain Bearing		
	350 kgs (770 lbs)	King Kong Wheel	1109-25-100-1	1109-25-100-2	1109-25-100-4			
75mm x 45mm (3" x 1-3/4")	300 kgs (660 lbs)	QPU	1109-03-80-1	1109-03-80-2	1109-03-80-4	Ball Bearing	102.5mm (4-1/25")	Swivel 68.4mm Swivel W/Brake 68.4mm
	300 kgs (660 lbs)	ZQPU(Dual Wheels)	1109-03-101-1	1109-03-101-2	1109-03-101-4			
	300 kgs (660 lbs)	Nylon	1109-03-07-1	1109-03-07-2	1109-03-07-4	Ball Bearing Plain Bearing		
	185 kgs (405 lbs)	PP	1109-03-29-1	1109-03-29-2	1109-03-29-4	Ball Bearing		
	225 kgs (500 lbs)	Phenolic	1109-03-25-1	1109-03-25-2	1109-03-25-4	Roller Bearing		
	400 kgs (880 lbs)	King Kong Wheel	1109-03-100-1	1109-03-100-2	1109-03-100-4	Ball Bearing Plain Bearing		